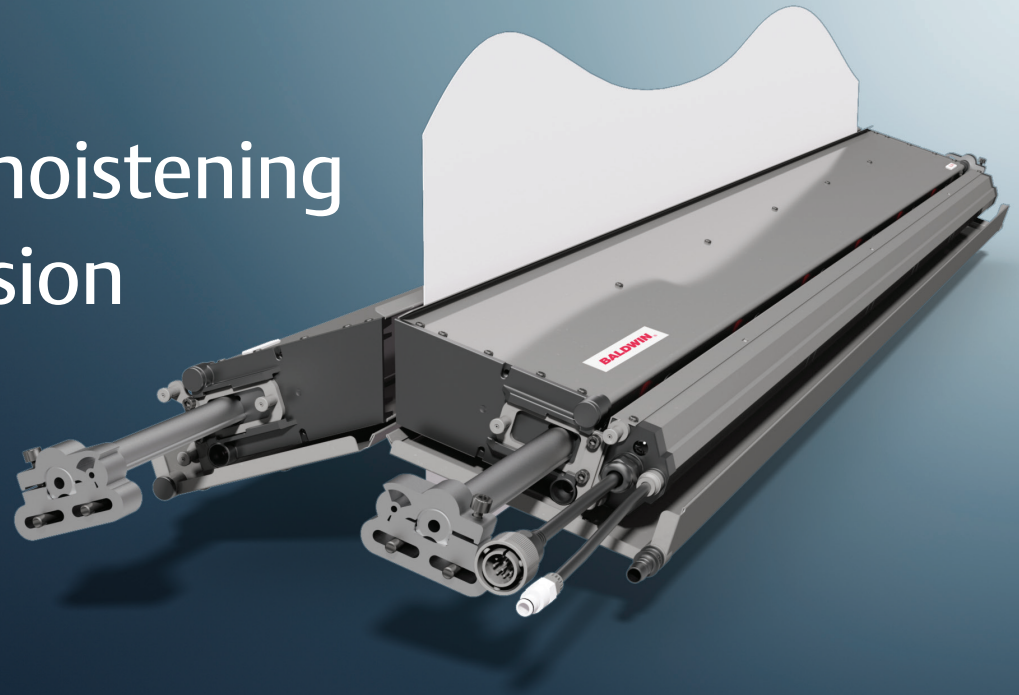


# Textile remoistening with precision



The TexMoister G2 applicator is the second generation of remoistening systems from Baldwin Technology, offering exceptional precision of remoistening treatment from a compact, low maintenance module for the textile industry.

The textile industry uses vast amounts of water and energy throughout all processing operations. Almost all chemicals applied require drying and curing, which is a very “energy-consuming” part of the production process.

After the drying/curing process, the textile is often too dry—and there is a negative effect on the softness and the stretch of the textile, among other effects.

This is when the remoistening process becomes an important part of the process—to enable additional processes and restore the natural water balance, with precise application of water quantity. The system allows you to precisely increase fabric weight to have the best possible level of moisture for profitability. A remoistening process that is effortlessly handled with the TexMoister G2.



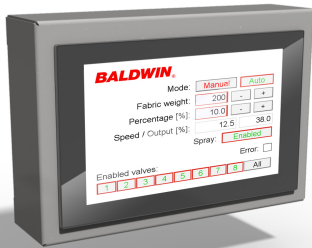
Consistent product touch and feel

## Advantages of using the TexMoister G2

- Precision application of water applying the exact amount of moisture to the fabric
- Single, or dual-sided application up to 2400 mm width
- Fully automatic application control
- Touch panel with user-friendly interface
- Compact design with no moving parts
- Easy installation and low maintenance

# The compact system

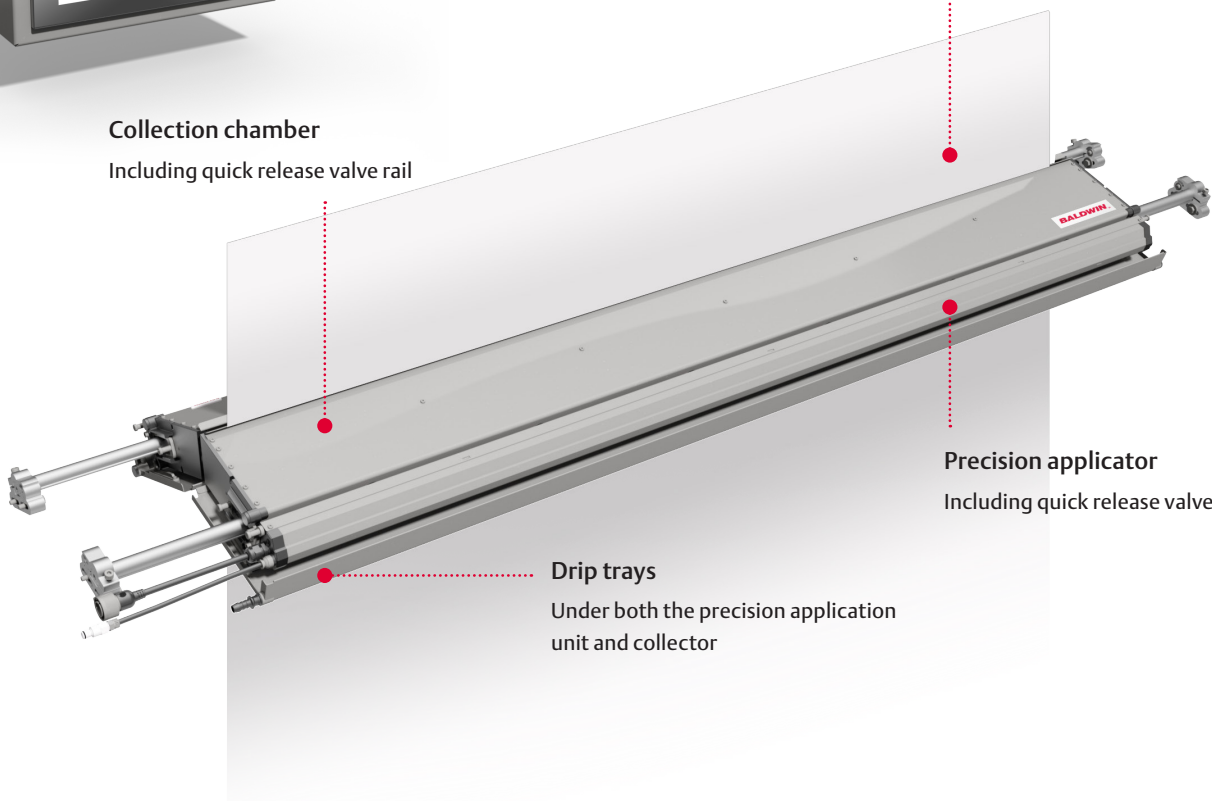
No rotating parts requires less maintenance



“User-friendly”  
touch control panel

Textile  
Dual-sided application

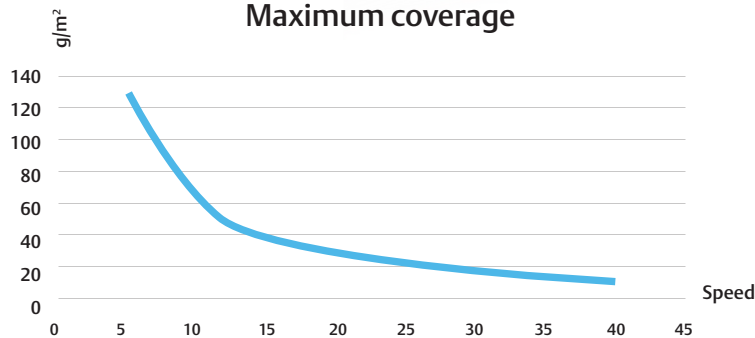
Collection chamber  
Including quick release valve rail



Precision applicator  
Including quick release valve rail

Drip trays  
Under both the precision application  
unit and collector

Maximum coverage



**Coverage**

The maximum coverage per side available from the textile remoistening. For dual-sided applications, the coverage capability is doubled. Exact coverage is dependent on the fabric characteristics.

**Contact**

Email: [spray@baldwintech.com](mailto:spray@baldwintech.com)

For regional contacts please visit [baldwintech.com](http://baldwintech.com)

**Follow**

