



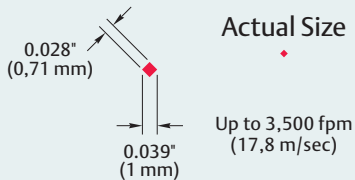
MultiCam register marks for Commercial and Newspaper printers

MultiCam provides both circumferential and lateral color register control in a compact, low profile system. It identifies register marks as small as 0.014 in. (0,36 mm) as well as Ribbon Control, Autotron™, and other manufacturers' marks at speeds up to 3,500 ft/min (17,8 M/sec).

Lateral mark patterns

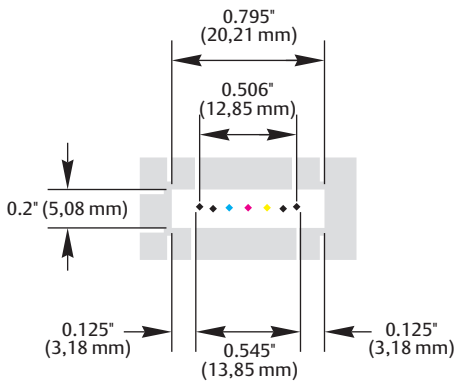
MultiCam offers multiple *lateral* mark patterns to meet a range of printing needs. The camera can read four, six, or eight colors *across*.

**1 mm
(0.039 in.)
marks**

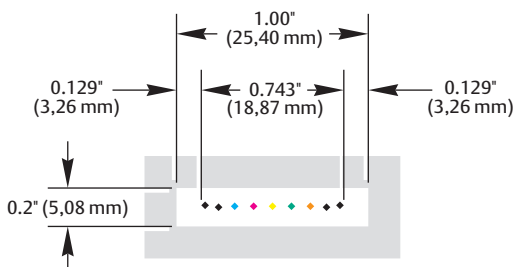


White Space Requirements

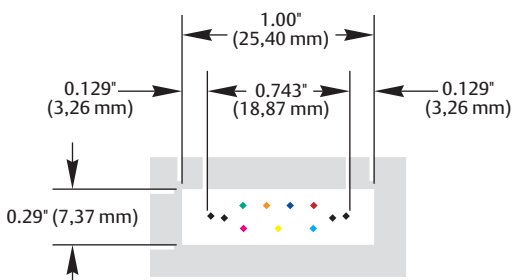
4-color Lateral Marks



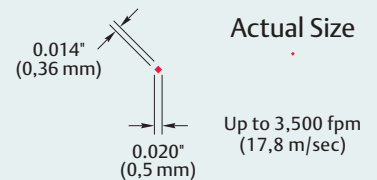
6-color Lateral Marks



8-color Lateral Marks

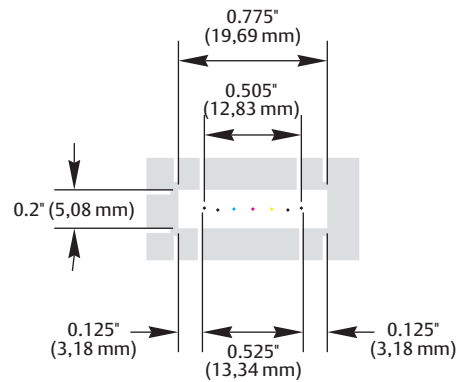


**0,5 mm
(0.020 in.)
marks**

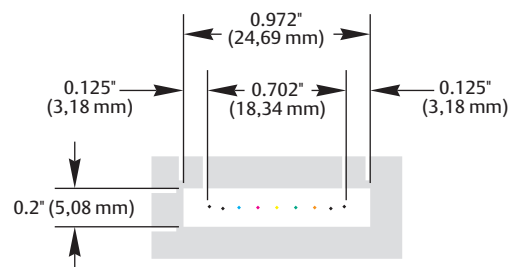


White Space Requirements

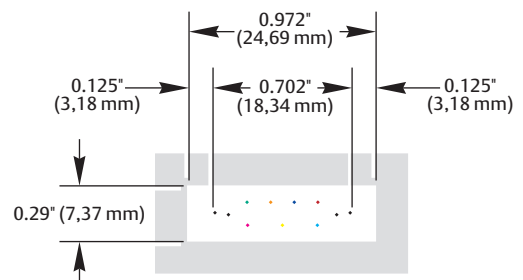
4-color Lateral Marks



6-color Lateral Marks

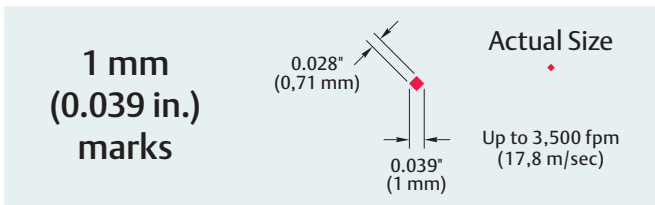


8-color Lateral Marks

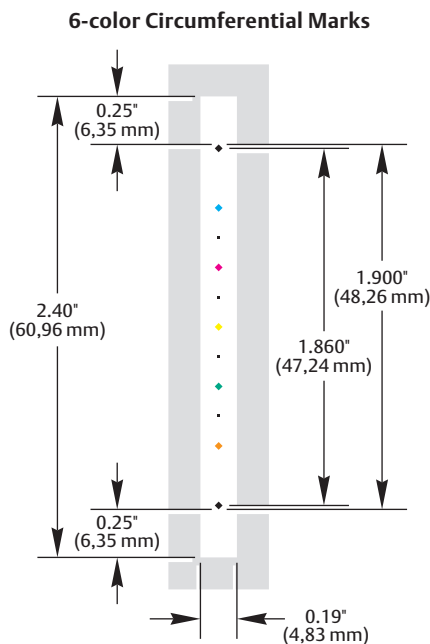
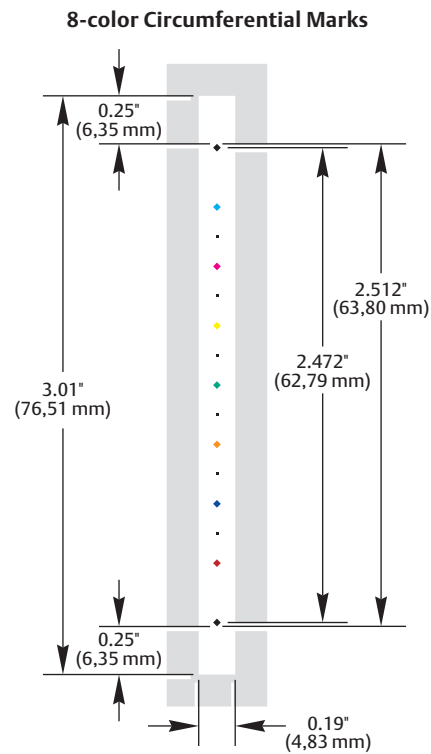
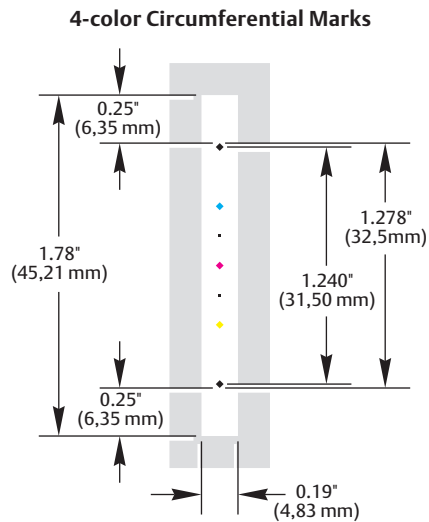


Circumferential mark patterns

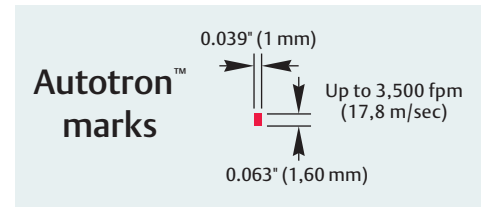
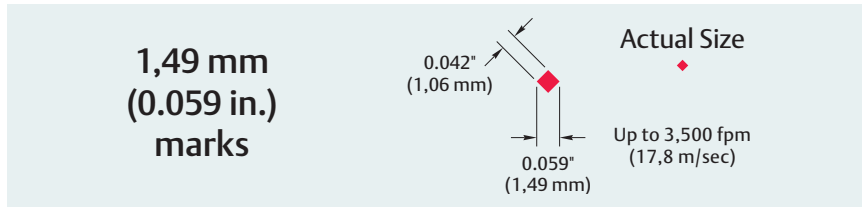
MultiCam offers multiple *circumferential* mark patterns to meet a range of printing needs. The camera can read four, six, or eight colors *ahead*.



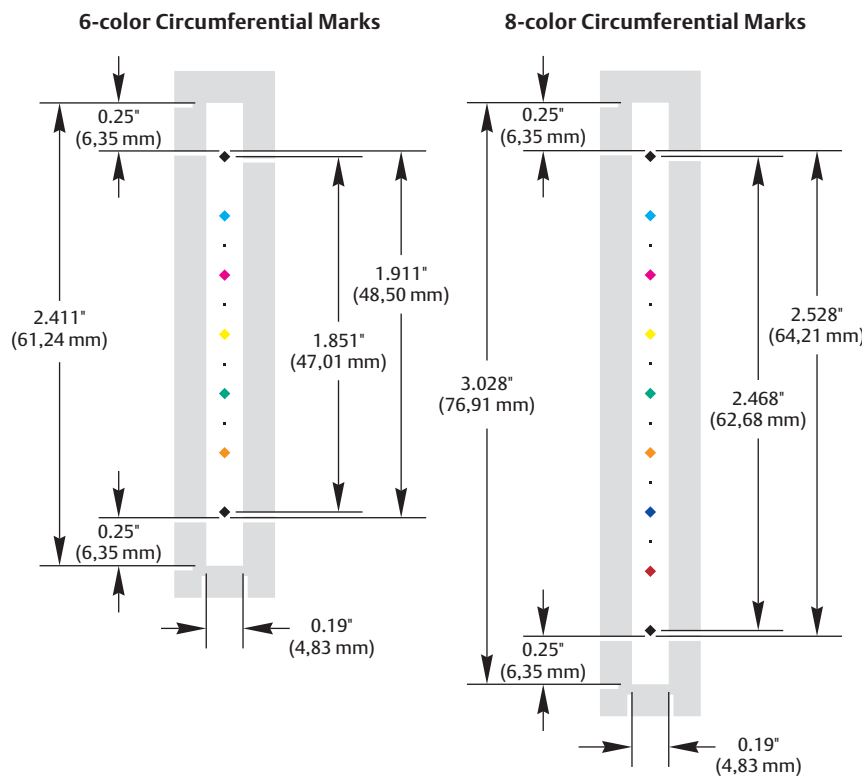
White Space Requirements



Circumferential mark patterns (continued)

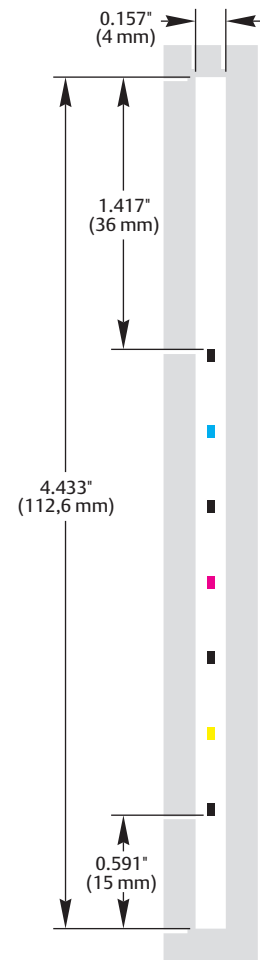


White Space Requirements



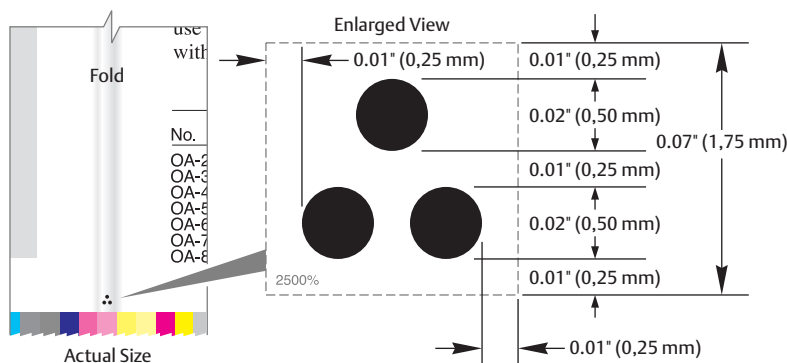
White Space Requirements

Autotron 4-Color Circumferential Marks



Also available Autotron 5 & 6 color patterns

Ribbon Control marks



Contact

Email: visionsolutions@baldwintech.com
www.baldwinvisionsystems.com

Follow

