

ADVANTAGES

- Micro Dot option—the industry’s smallest and practically invisible targets
- Unmatched reliability, CLC+ experiences 99%+ system up-time
- Total air purge optics
- Multiple target bar configurations to meet your needs
- T5 data collection packages available
- Remote control of water
- Real time Interfaces available to connect with existing press inking systems
- Simple retrofits into prior generation MicroTrak CCR systems

CLC+ HD – product within *Web Process Controls* solution

Combined closed loop color and register control

CLC+HD—This system uses a single sensor head per web surface to perform both COLOR and REGISTER functions.

This imaging system scans in a continuous motion from side-to-side of the press in BOTH directions, resulting in the fastest performance available in the market.

From the moment the web begins

moving, CLC+ HD is at work improving quality, reducing waste, and making your press as productive as possible.

The system finds and locks onto the target bar, simultaneously measuring and controlling color and register. Integrated Register Control is seamless to the operator and the system uniquely can automatically control plate cocking as well.

The CLC+ HD system is so easy to use that press operators can be productive in under one shift. Set up and load new job forms quickly and easily with the Touch Screen Control.

CLC+ cameras are designed with Total Air Purge technology making the cameras virtually maintenance free, with no after market consumables necessary.

- What our customers are saying -

“ We felt very comfortable with WPC after having prior experience with their register controls, and with the ability of CLC+ to help us reduce waste and improve our color control capability; this was an easy decision for us. WPC has proven themselves to the Los Angeles Times in the past and as expected we knew they would come through for us again. ”

—GREG MALCOLM, DIRECTOR OF OPERATIONS, THE LOS ANGELES TIMES

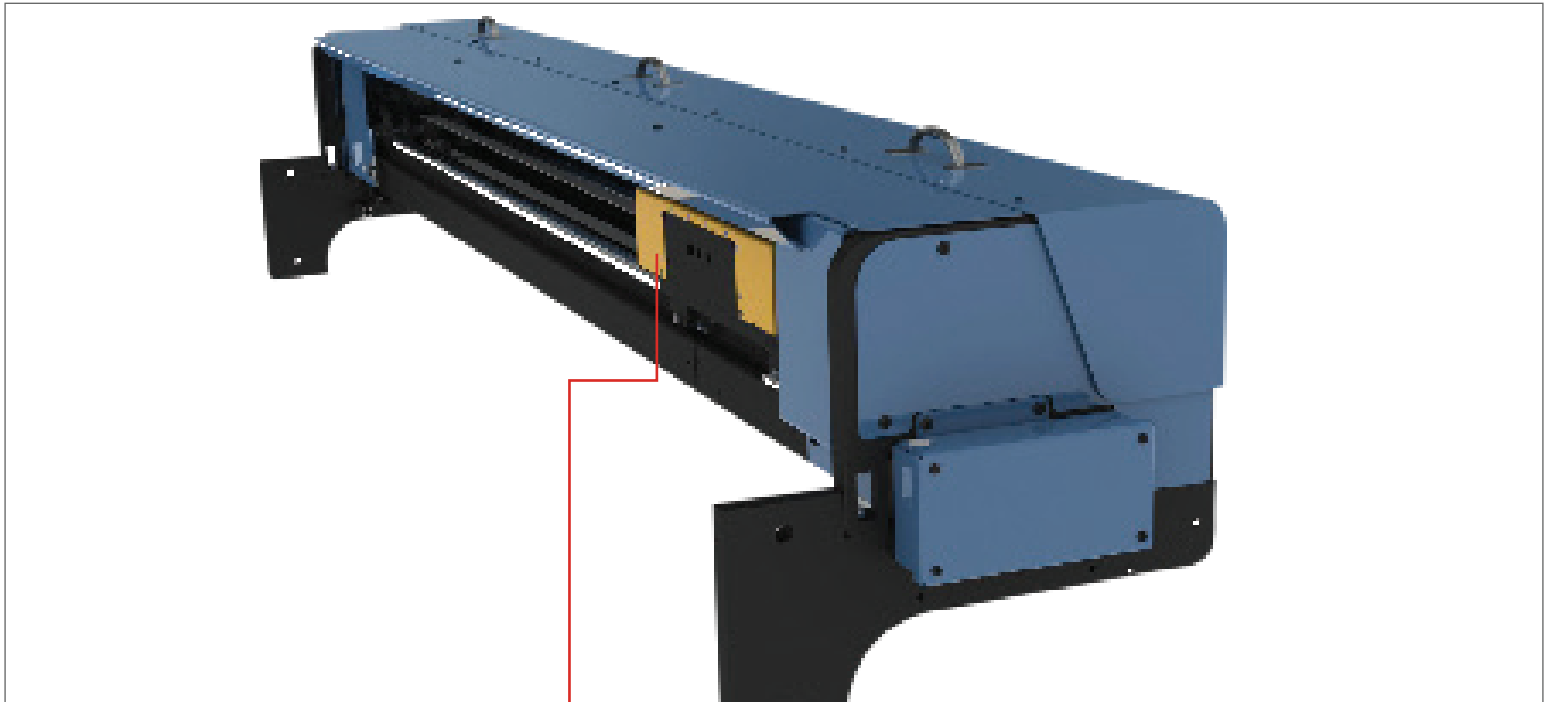


Image Head

Maintenance free image head, LED light source, internal calibration



Air Purge

Three stage air filter package keeps the camera clean and maintenance free for years.

TECHNICAL DATA

- LCD touch screens
- Total air purge image heads
- Auto calibrates to standard
- Measures and adjusts color
- Measures and adjusts register
- Water control (Optional)
- Cutoff controls (Optional)
- Measures all colors every cylinder rotation

